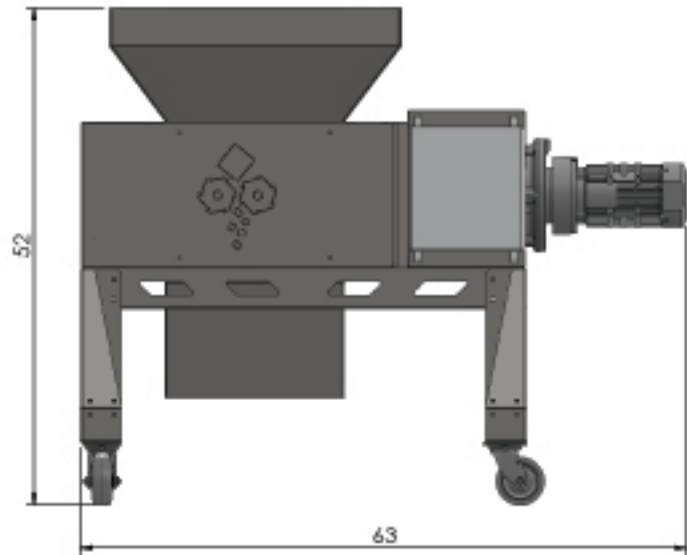
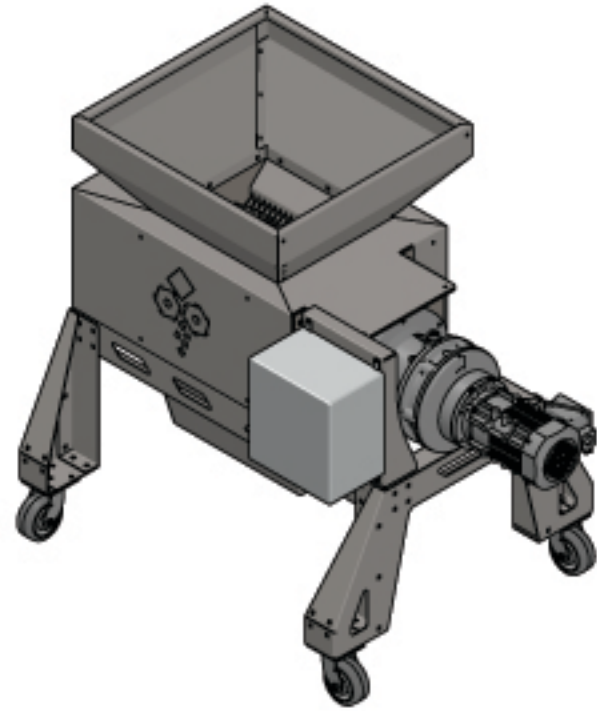
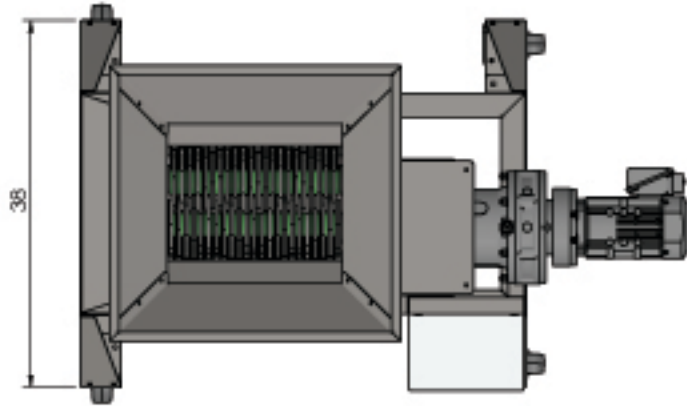


# ECO-Martin Shredder



DESCRIPTION			
<b>DIMENSIONS ARE INCHES</b>		DRAWN BY <b>PROVEN DESIGN WORKS LTD.</b>	
UNLESS SPECIFIED TOLERANCES ARE:		PROJECT NUMBER	
.X	= ± 0.06	WEIGHT lbs	THICKNESS (in)
.XX	= ± 0.03	DATE	2021-05-12
.XXX	= ± 0.01	REVISION	MATERIAL
ANGLES = ± 1°		PART NUMBER <b>SCSE-SHREDDER WITH STAND</b>	
		SHEET 1 OF 1	

THIS DRAWING AND ALL INFORMATION THEREIN IS THE PROPERTY OF PROVEN DESIGN WORKS LTD. IT IS TO BE USED ONLY FOR THE PROJECT AND NOT TO BE REPRODUCED OR TRANSMITTED IN ANY FORM OR BY ANY MEANS, ELECTRONIC OR MECHANICAL, INCLUDING PHOTOCOPYING, RECORDING, OR BY ANY INFORMATION STORAGE AND RETRIEVAL SYSTEM. WITHOUT PERMISSION IN WRITING FROM PROVEN DESIGN WORKS LTD., NO PART OF THIS DRAWING IS TO BE REPRODUCED OR TRANSMITTED IN ANY FORM OR BY ANY MEANS, ELECTRONIC OR MECHANICAL, INCLUDING PHOTOCOPYING, RECORDING, OR BY ANY INFORMATION STORAGE AND RETRIEVAL SYSTEM.