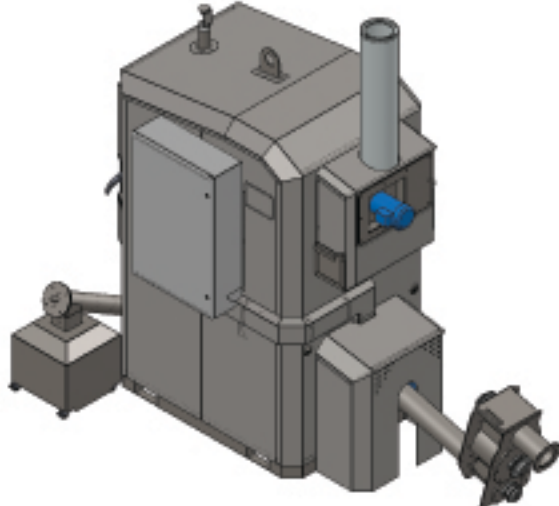
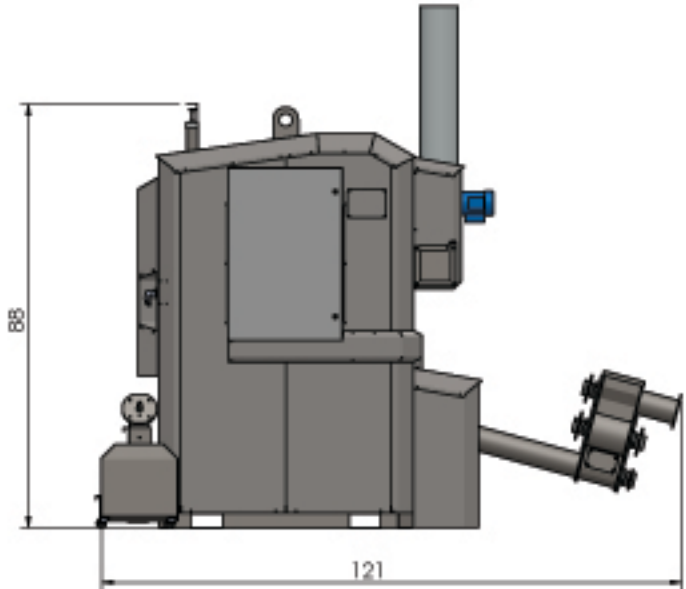
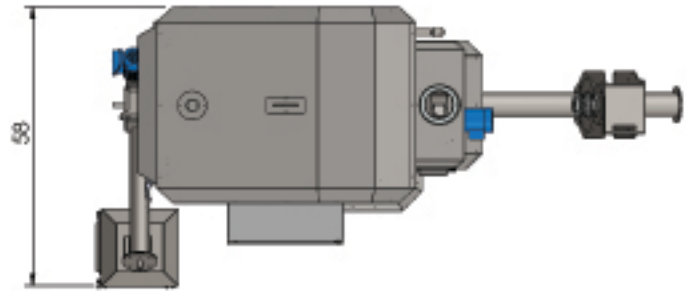


ECO 40



DESCRIPTION		PART NUMBER	
DIMENSIONS ARE INCHES UNLESS SPECIFIED TOLERANCES ARE: .X = ± 0.06 .XX = ± 0.03 .XXX = ± 0.01 ANGLES = ± 1°		ECO 40 Overall Dim	
DRAWN BY PROVEN DESIGN WORKS LTD.		PROJECT NUMBER	
WEIGHT lbs	THICKNESS (in)	DATE	SHEET 1 OF 1
REVISION	MATERIAL	2021-05-12	

THIS DRAWING AND ALL INFORMATION HEREIN IS THE PROPERTY OF PROVEN DESIGN WORKS LTD. IT IS TO BE USED ONLY FOR THE PROJECT AND NOT TO BE REPRODUCED OR TRANSMITTED IN ANY FORM OR BY ANY MEANS, ELECTRONIC OR MECHANICAL, INCLUDING PHOTOCOPYING, RECORDING, OR BY ANY INFORMATION STORAGE AND RETRIEVAL SYSTEM. WITHOUT THE WRITTEN PERMISSION OF PROVEN DESIGN WORKS LTD. THIS DRAWING IS TO BE DESTROYED AND NOT REPRODUCED OR TRANSMITTED IN ANY FORM OR BY ANY MEANS, ELECTRONIC OR MECHANICAL, INCLUDING PHOTOCOPYING, RECORDING, OR BY ANY INFORMATION STORAGE AND RETRIEVAL SYSTEM.